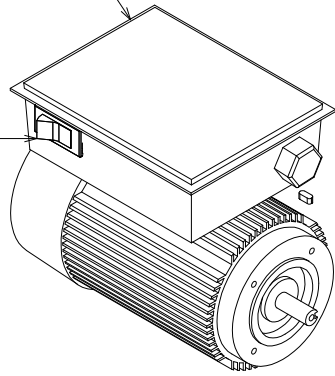
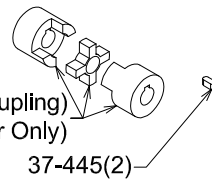


Motors:  
 100-120VAC 50/60Hz: 50-539  
 220-240VAC 50/60Hz: 50-531

On/Off Switch:  
 120V 12A: 50-558  
 120V 11A: 50-549  
 230V 11A: 50-551  
 230V 8A: 50-554



50-658 (Entire Coupling)  
 50-655 (Rubber Spider Only)



37-445(2)

50-629

50-663(4)

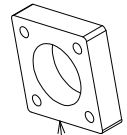
35-160(2)

35-931(2)

50-560

36-019(2)

50-465



50-527

50-661  
 (Shaft Assembly)

37-725

50-564

37-433

50-659  
 (SHAFT)

50-567

37-493

37-494

35-233(4)

50-646

Note: Spring washers  
 37-078 must be  
 cupped like this: ((

37-004

37-079

37-078

37-078

37-079

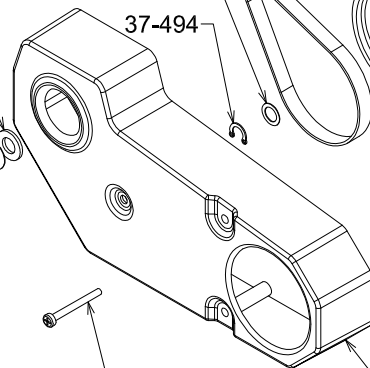
37-004

36-113

37-492

50-651

35-926



50-566

50-568

50-565

50-570

50-679 (Cover)

50-813 (Sticker)

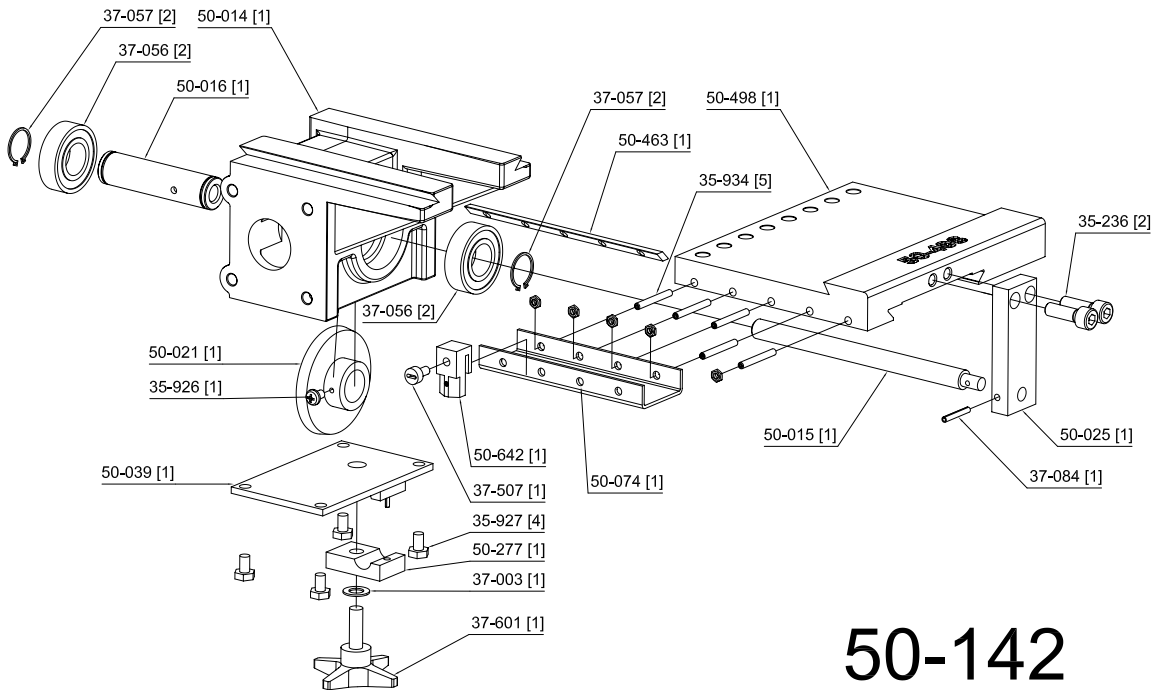
35-925(2)

Not Shown:

Motor Mount Screws 35-717(4)

Power Inlet Socket 50-402

Power Cord Retaining Bracket: 37-628

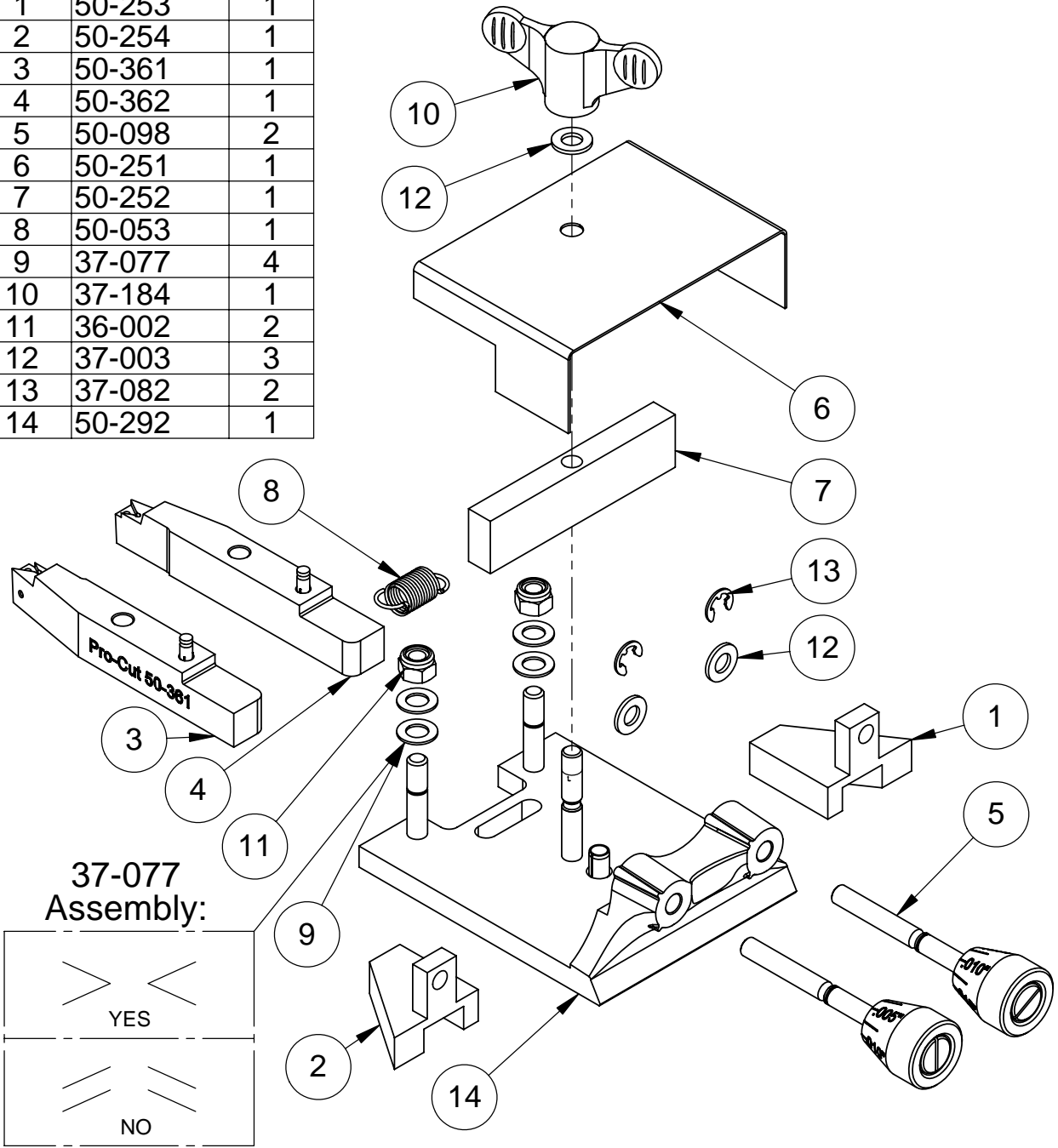


# 50-142

(part # [quantity])

ITEM NO.	PART NUMBER	QTY.
1	50-253	1
2	50-254	1
3	50-361	1
4	50-362	1
5	50-098	2
6	50-251	1
7	50-252	1
8	50-053	1
9	37-077	4
10	37-184	1
11	36-002	2
12	37-003	3
13	37-082	2
14	50-292	1

# 50-238 Rev. 2 Exploded View



1/30/2007