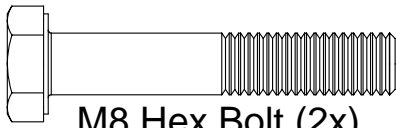


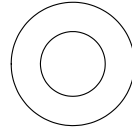
50-380 & 50-390 Assembly Instructions

Please check box contents. Call Pro-Cut at 1-800-543-6618 immediately if any parts are missing or damaged.

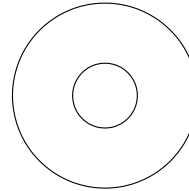
All hardware shown 1:1.



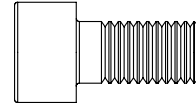
M8 Hex Bolt (2x)
35-252



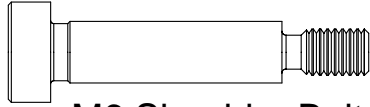
M8 Washer (2x)
37-003



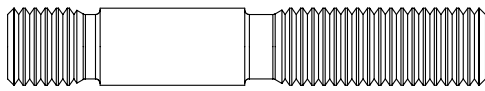
M8 Washer
Wide (1x)
37-015



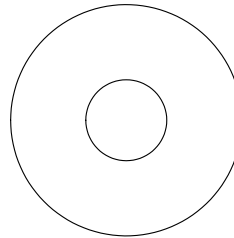
M8 Socket
Screw (1x)
35-238



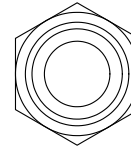
M6 Shoulder Bolt (2x)
35-425



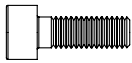
M10 Stud (2x) 35-158



M10 Washer
(2x) 37-998



M10 Locknut
(2x) 36-001B



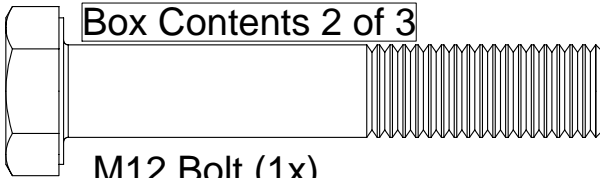
M4 Socket Screw (4x)
35-258



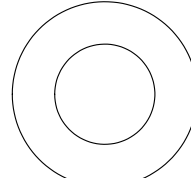
M4 Locknut (4x)
36-021

(c) Pro-Cut International LLC 7/24/2008

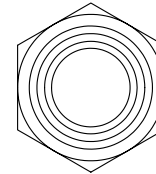
Box Contents 1 of 3



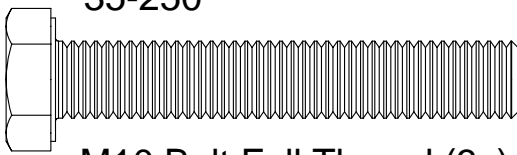
M12 Bolt (1x)
35-250



M12 Washer
(2x) 37-004



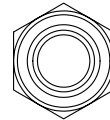
M12 Locknut
(1x) 36-003



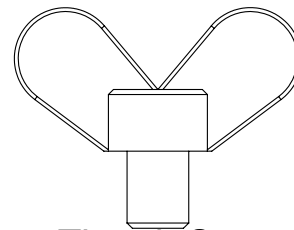
M10 Bolt Full Thread (3x)
35-245



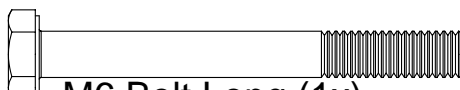
M8 Button Head Screw (4x)
35-248



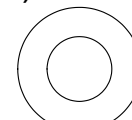
M8 Locknut
(4x) 36-002



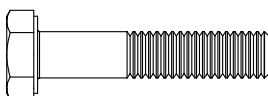
Thumb Screw
(1x) 35-243



M6 Bolt Long (1x)
35-251



M8 Washer
(1x) 37-003



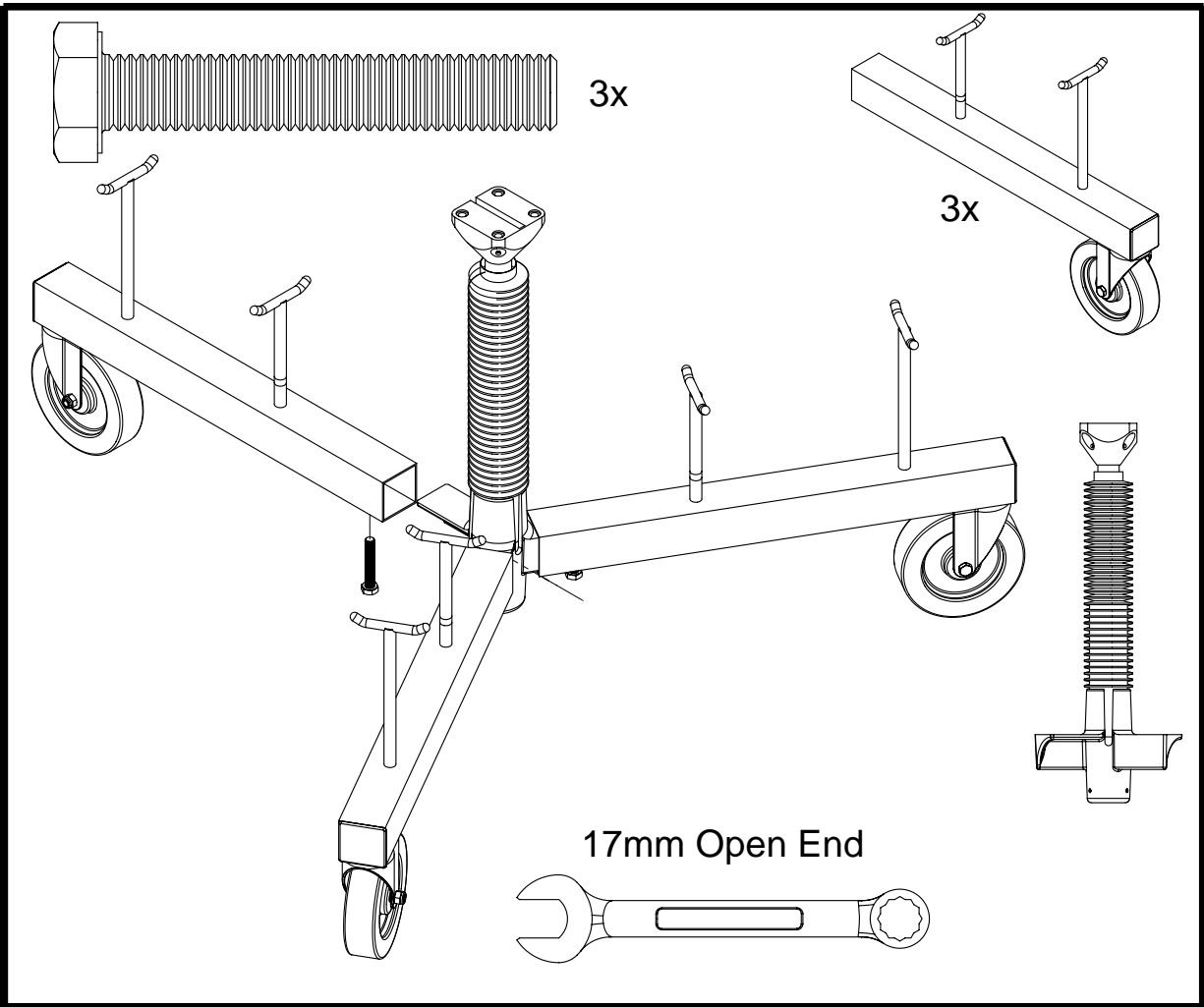
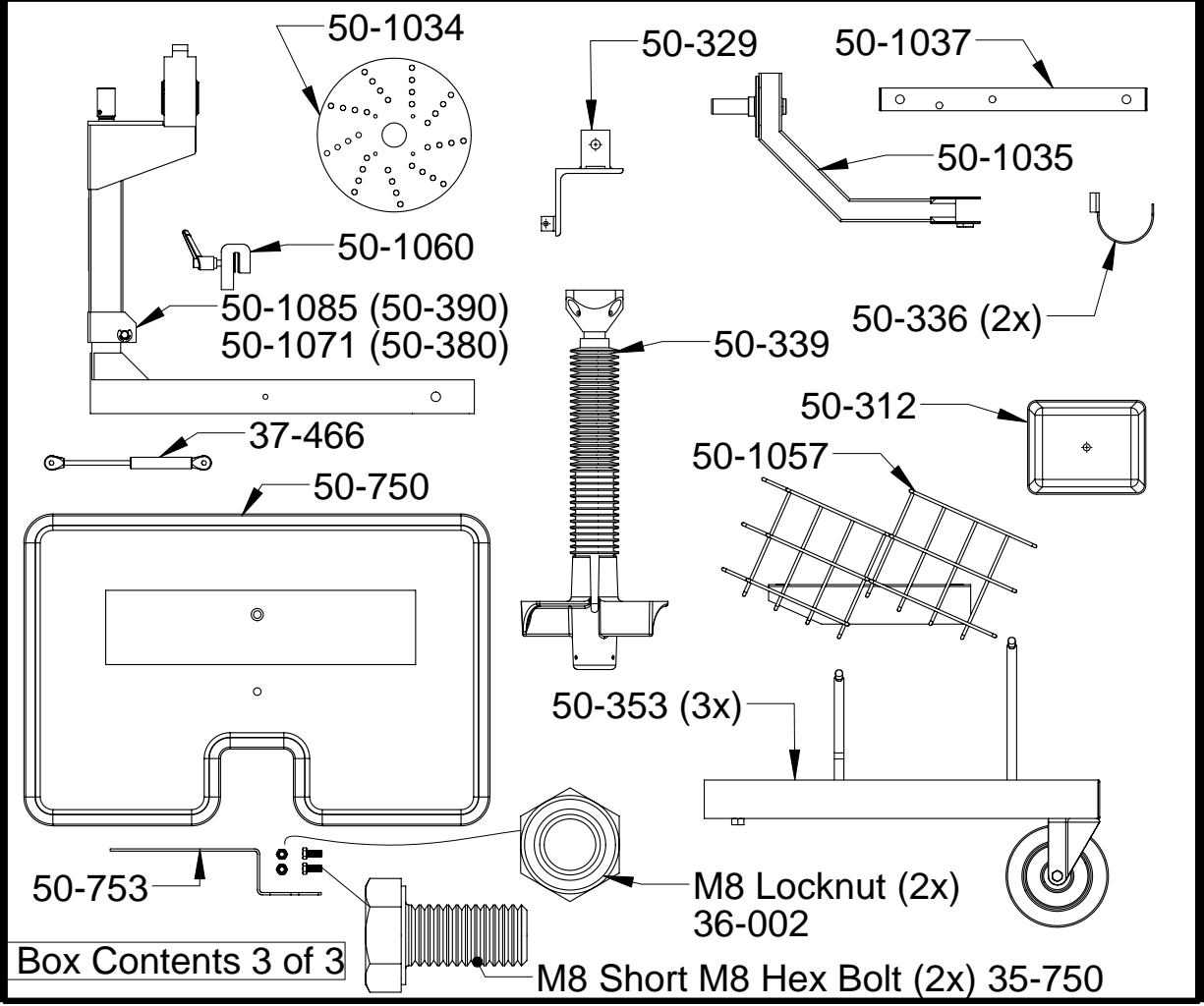
M6 Bolt Short (1x)
35-249

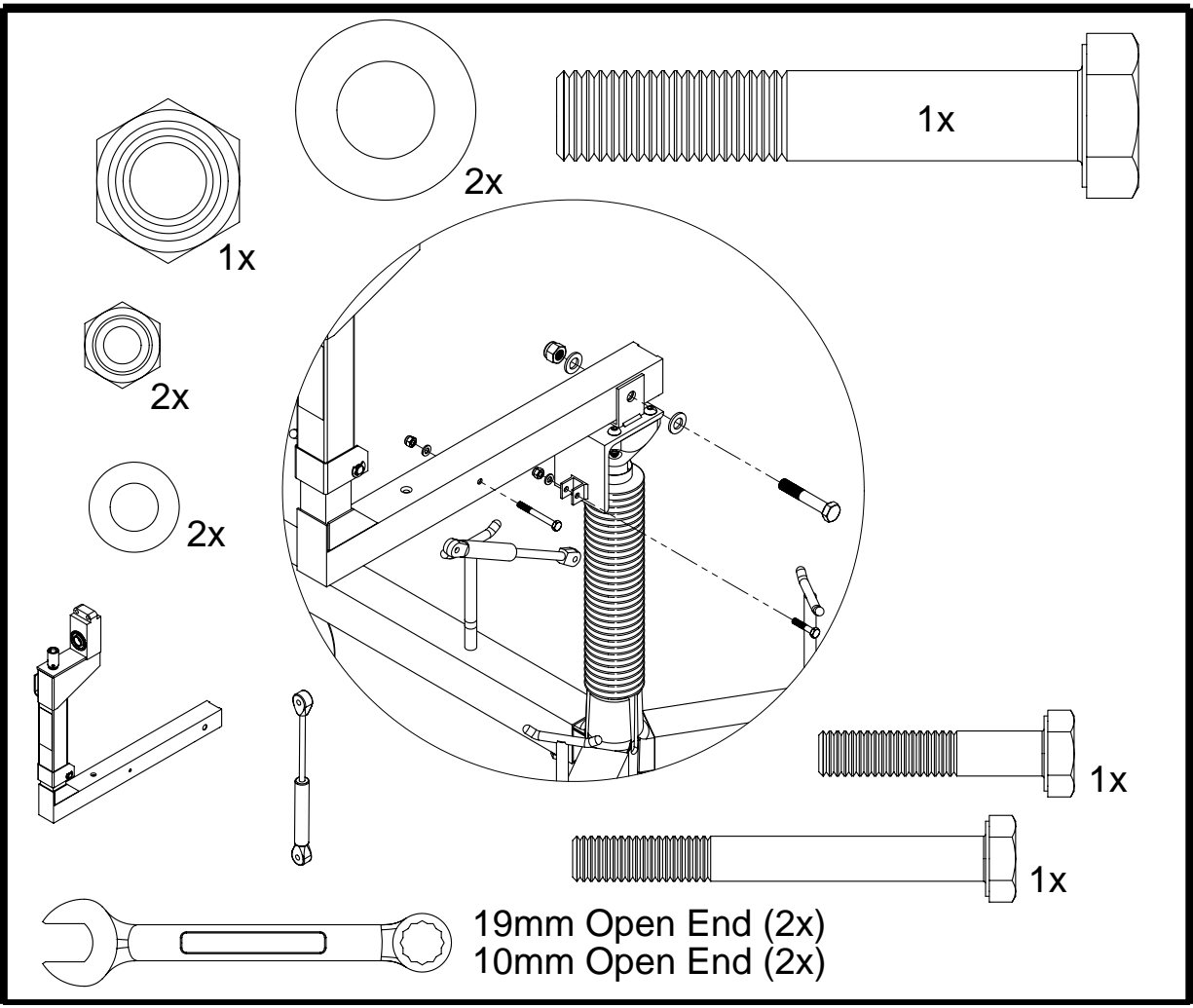
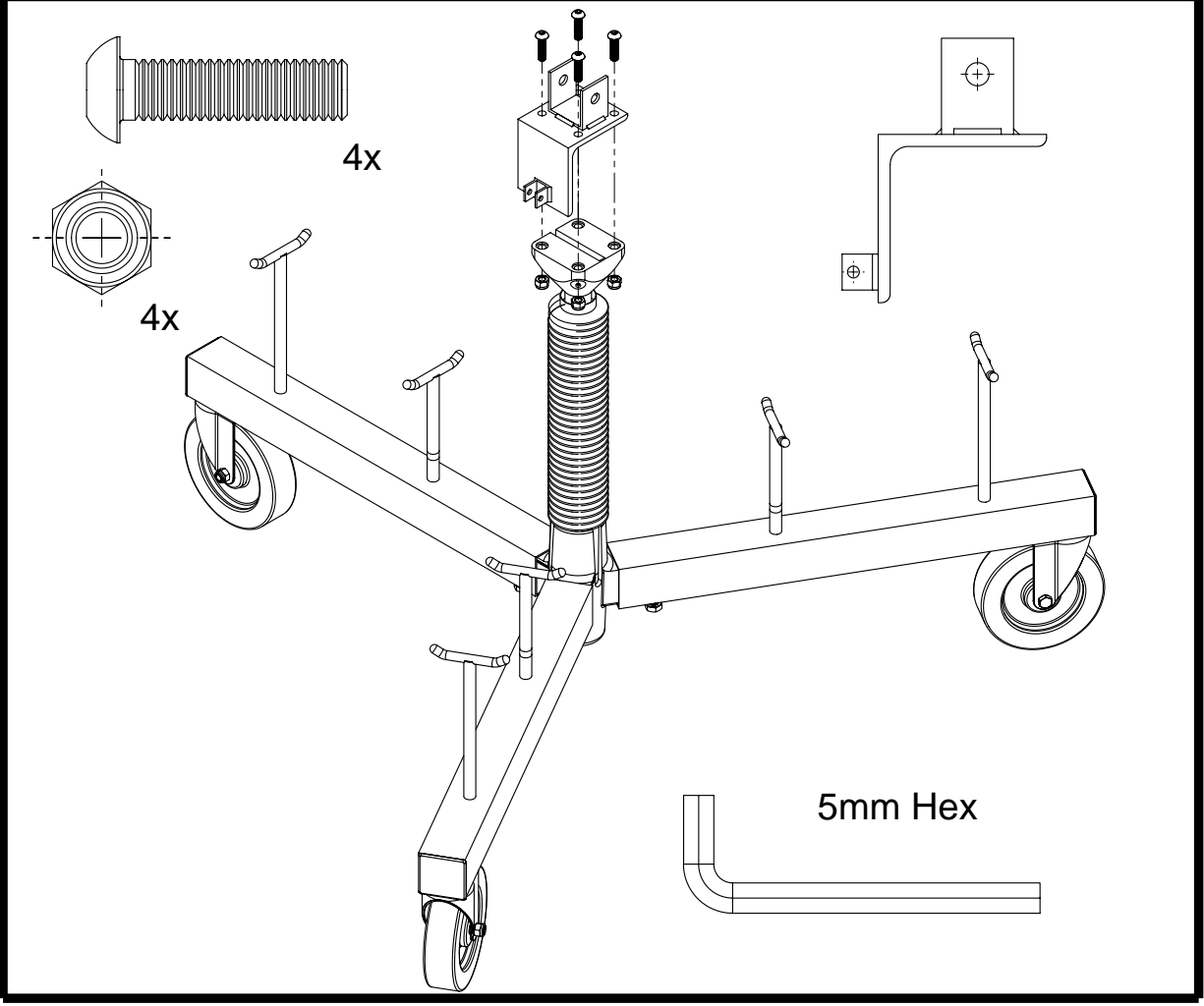


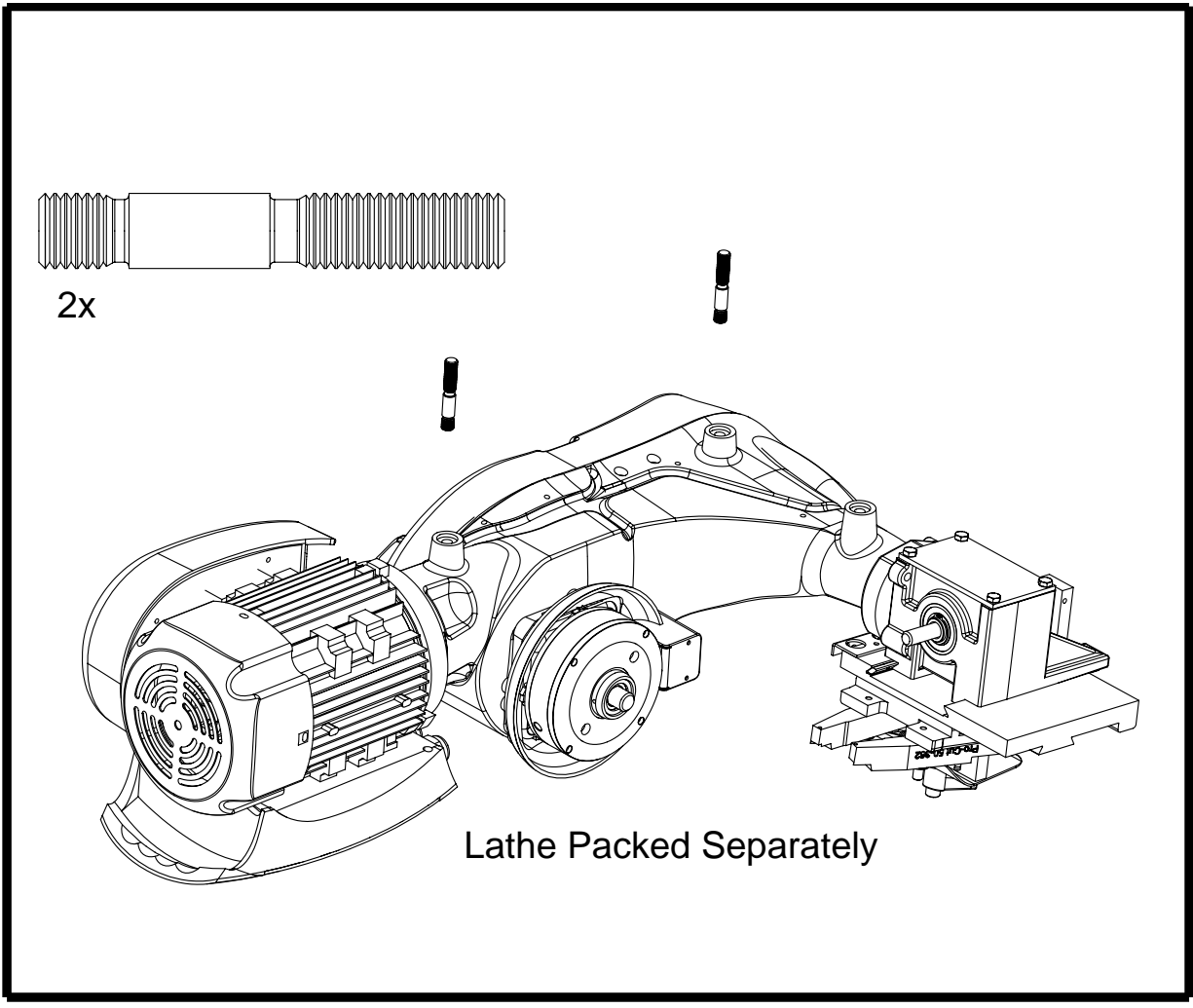
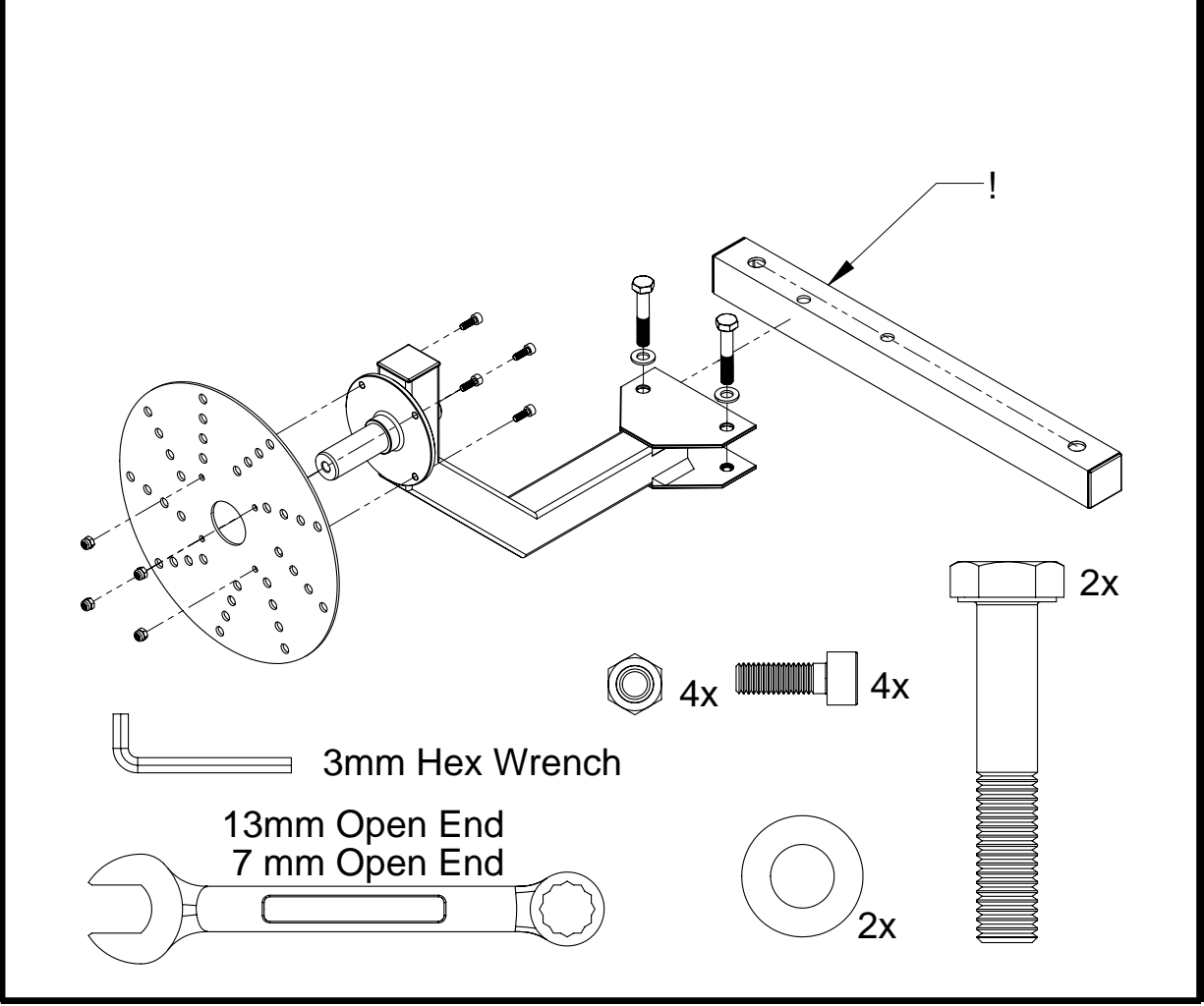
M6 Washer (2x)
37-454

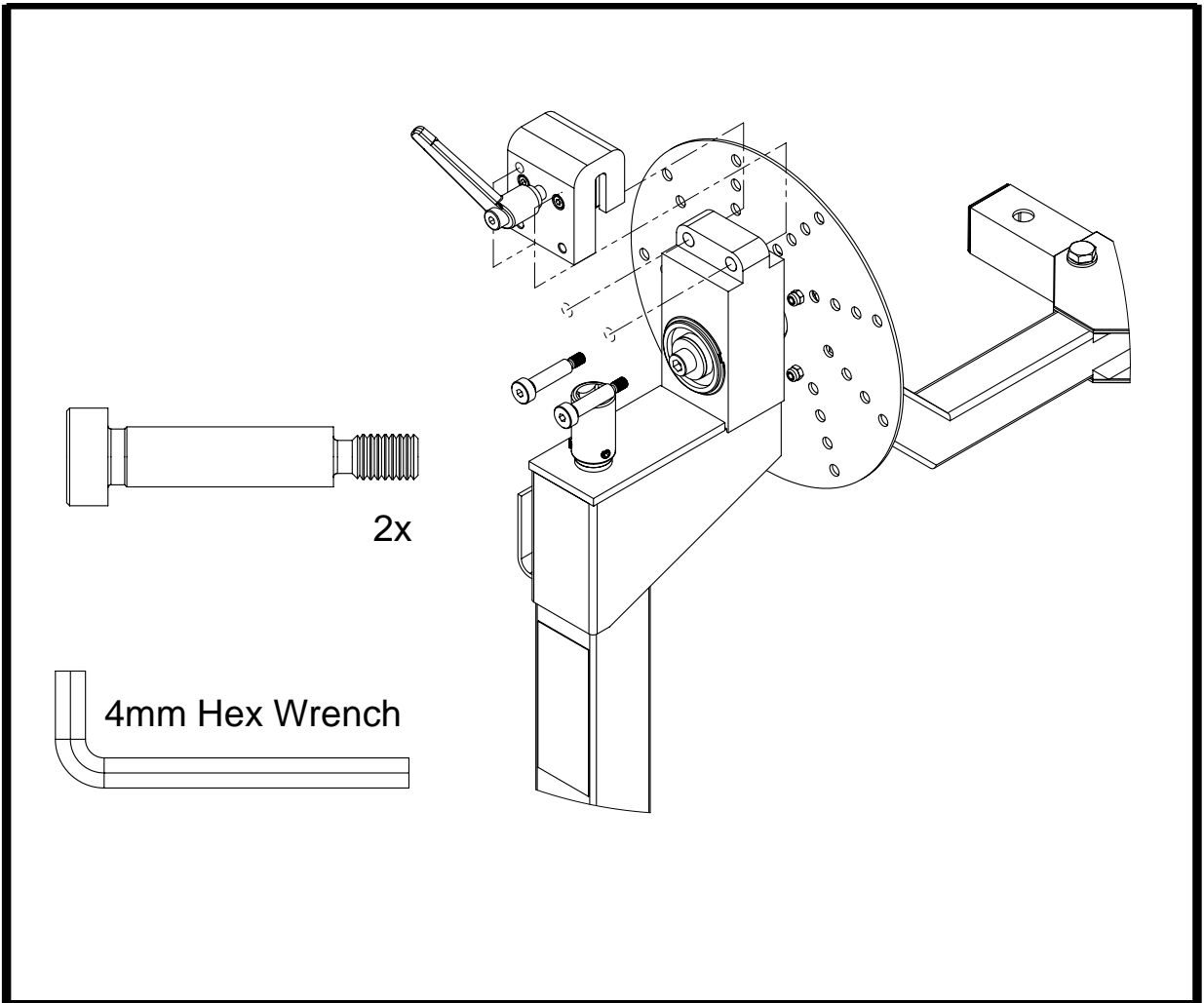
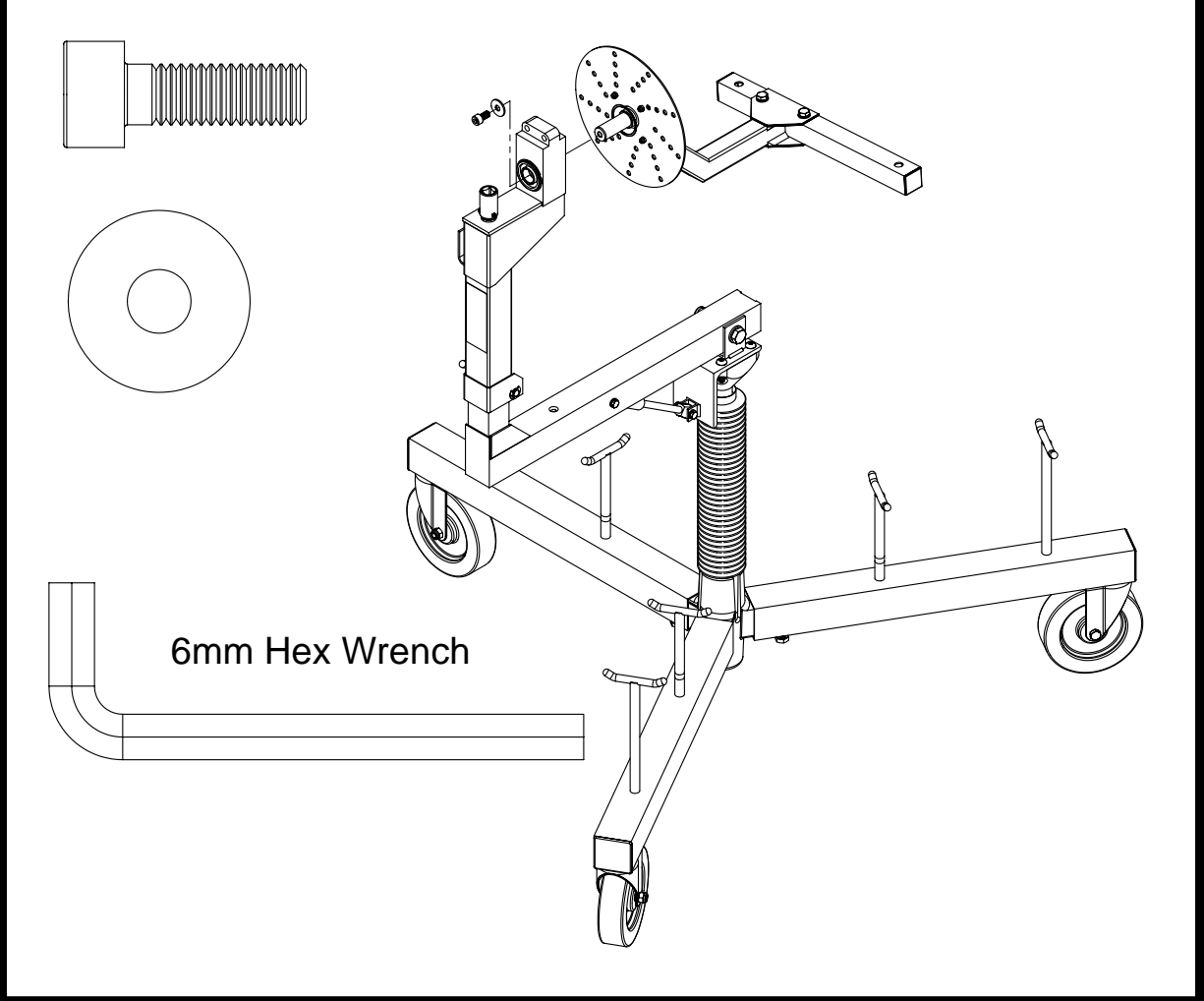


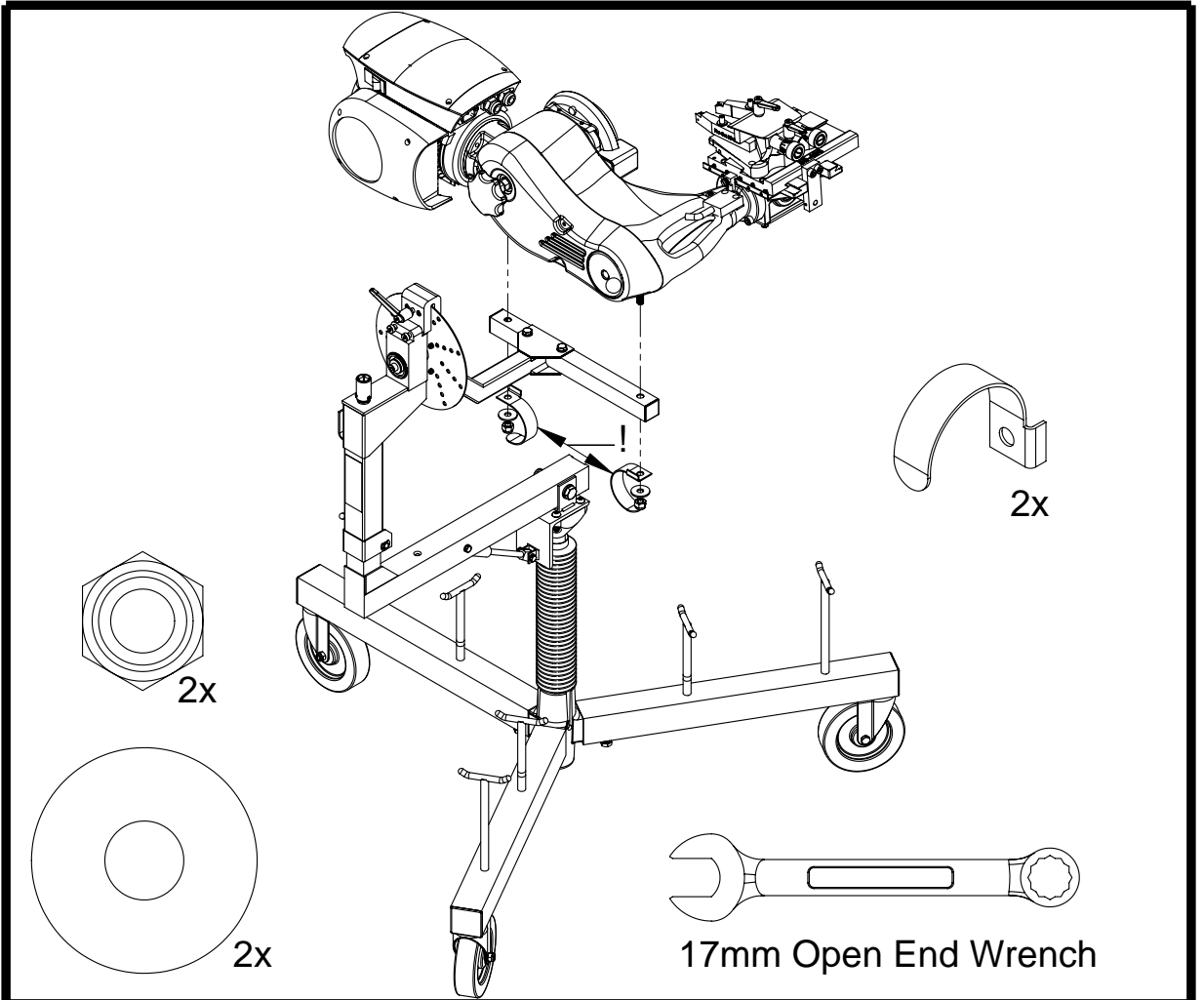
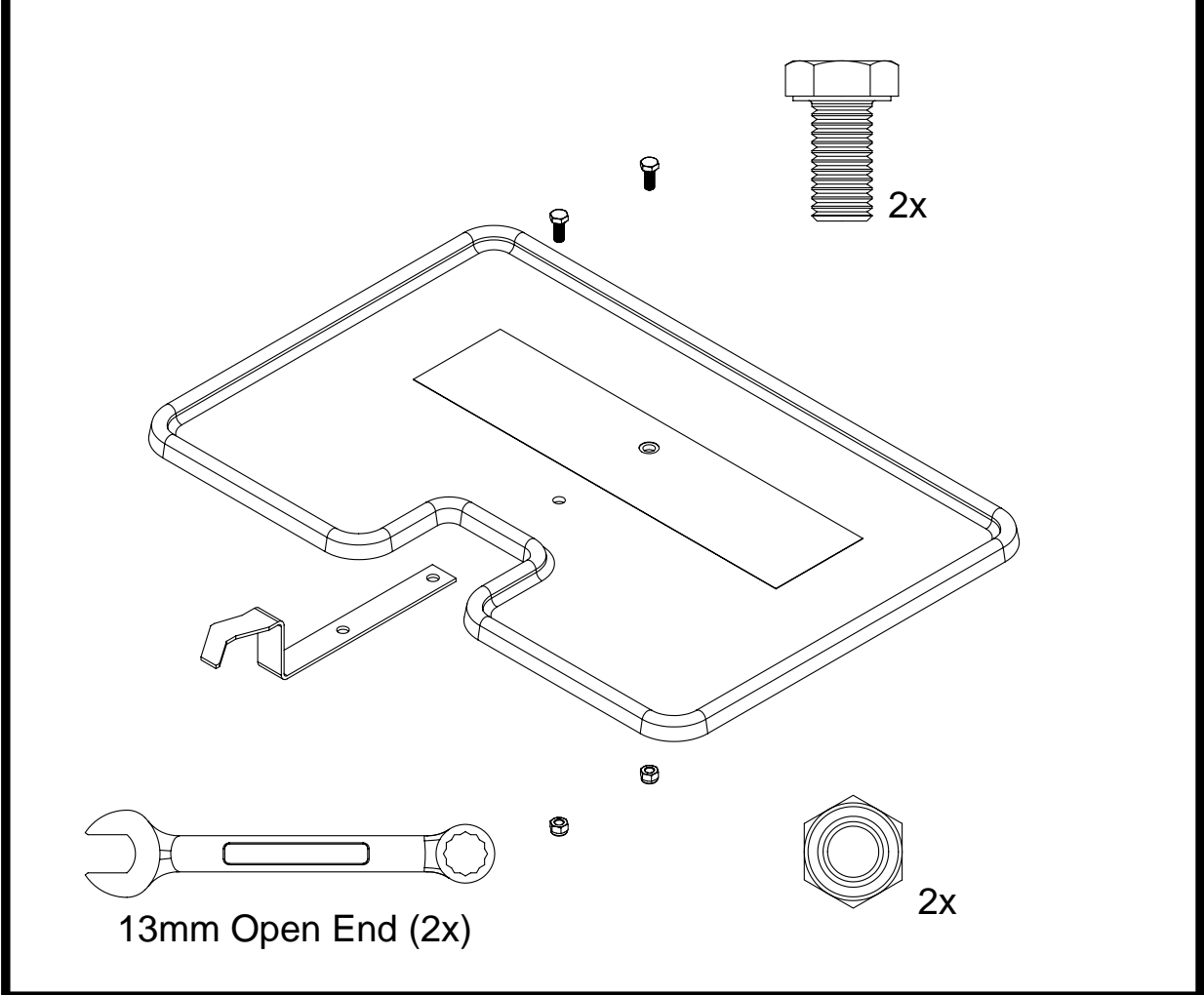
M6 Locknut (2x)
36-020

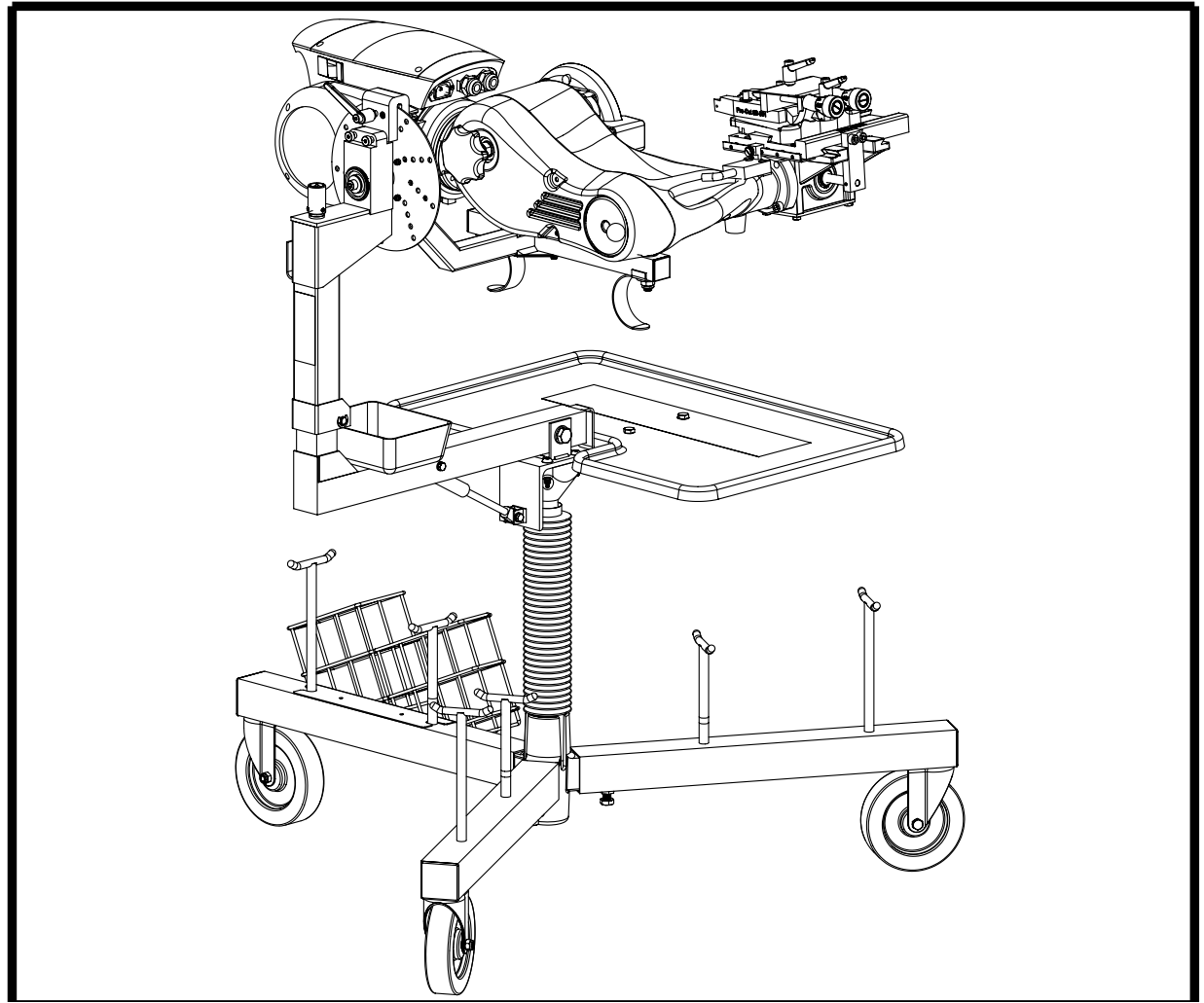
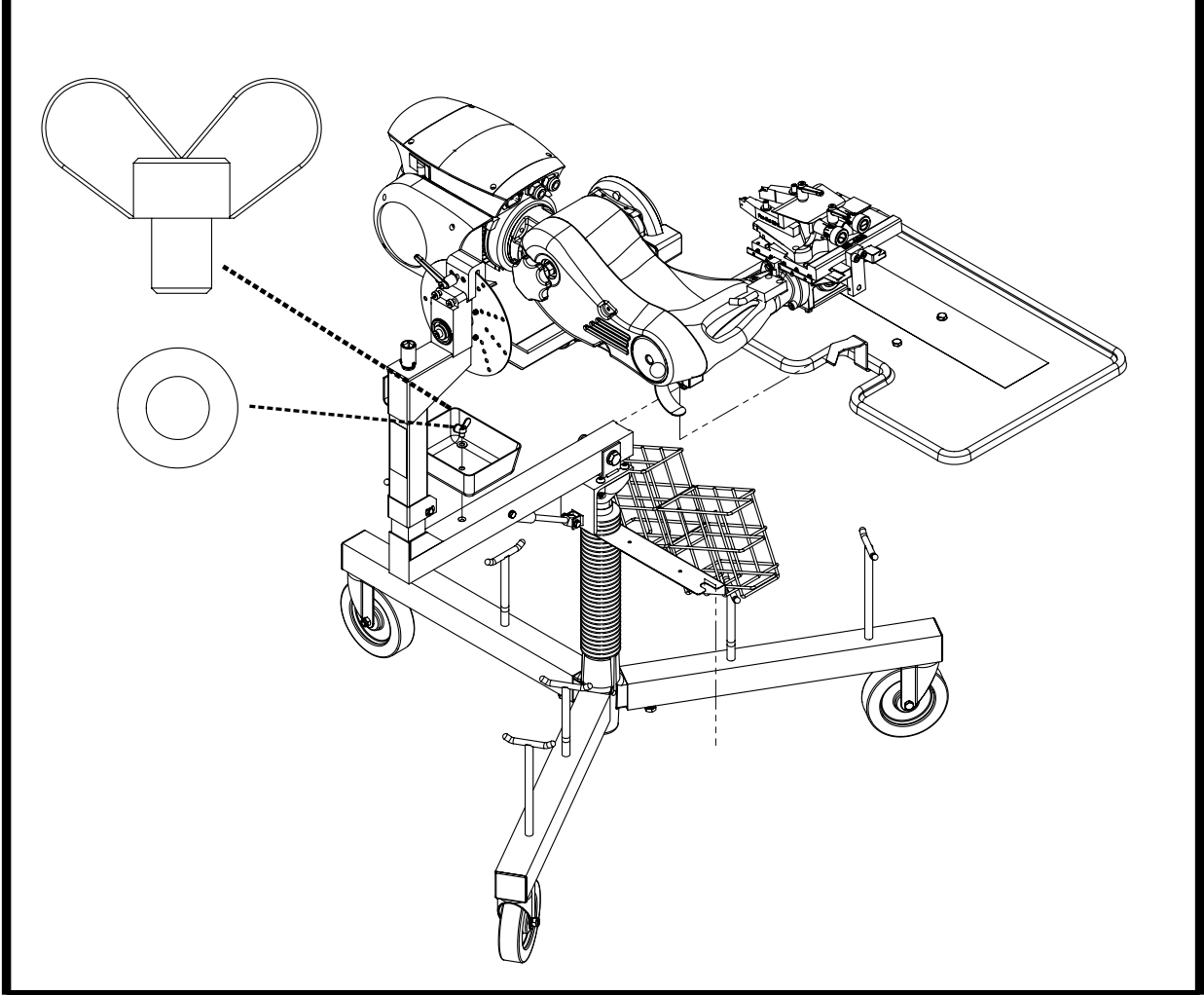




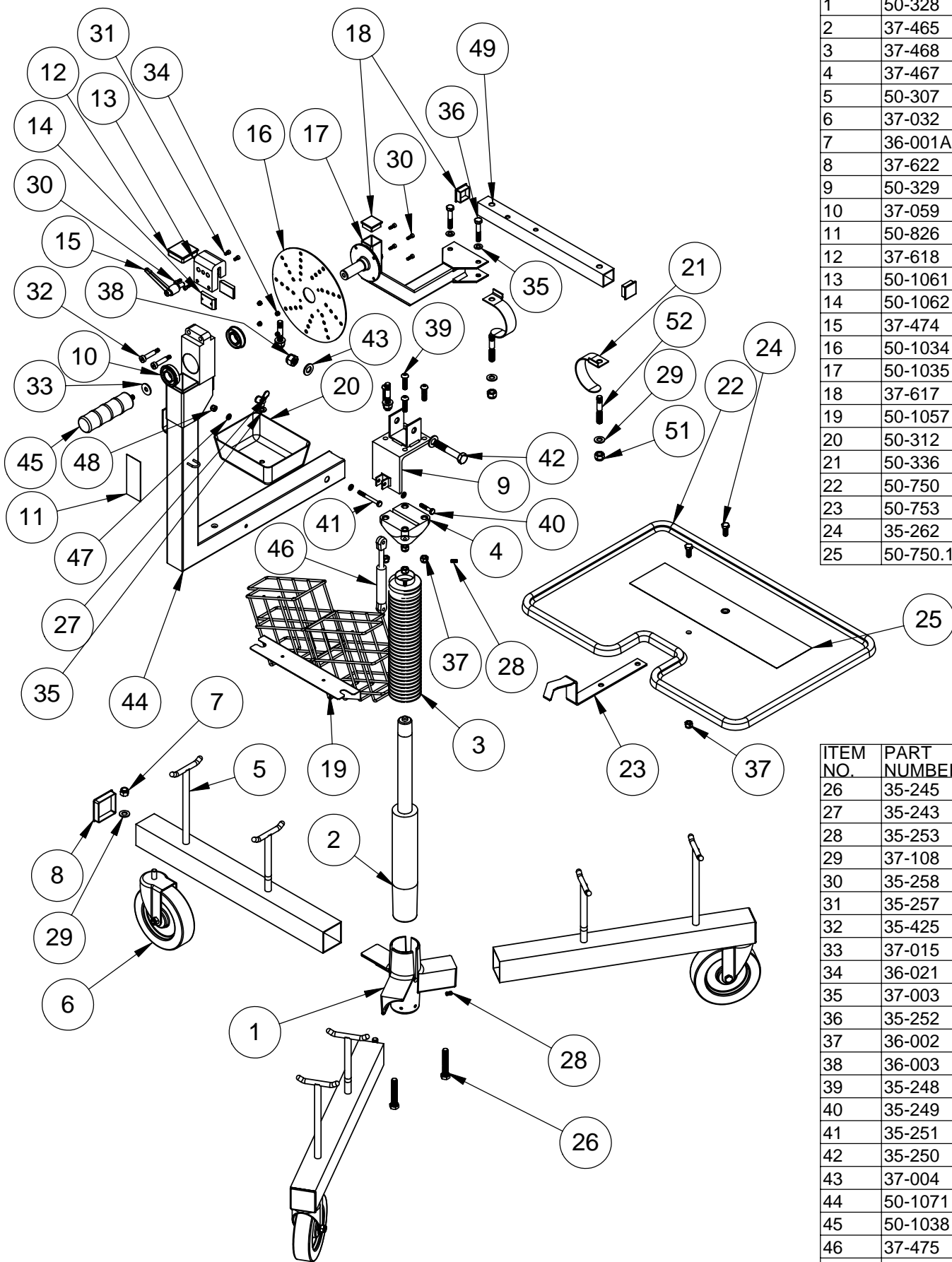








50-380

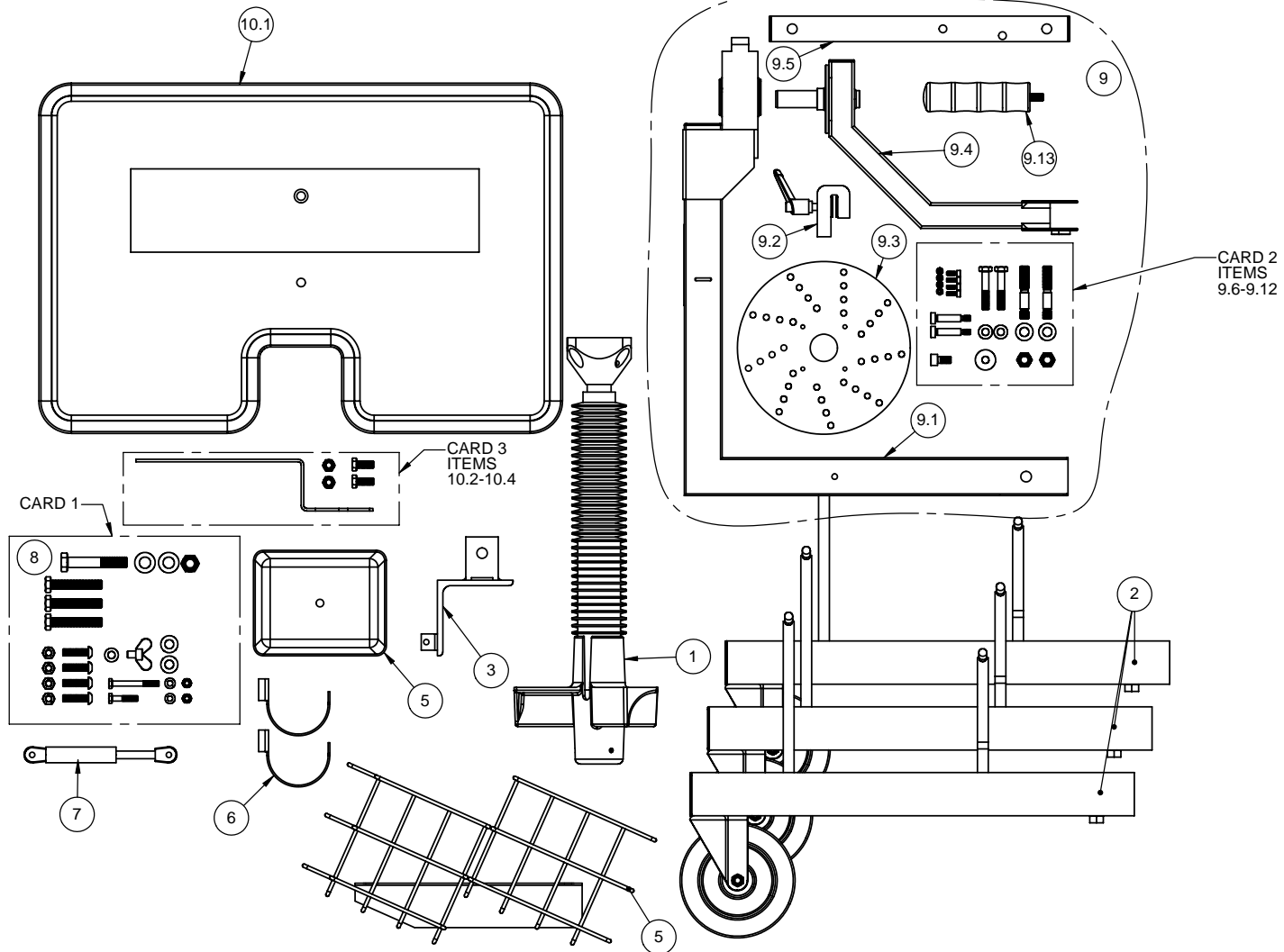


| ITEM NO. | PART NUMBER | QTY. |
|----------|-------------|------|
| 1 | 50-328 | 1 |
| 2 | 37-465 | 1 |
| 3 | 37-468 | 1 |
| 4 | 37-467 | 1 |
| 5 | 50-307 | 3 |
| 6 | 37-032 | 3 |
| 7 | 36-001A | 3 |
| 8 | 37-622 | 3 |
| 9 | 50-329 | 1 |
| 10 | 37-059 | 2 |
| 11 | 50-826 | 1 |
| 12 | 37-618 | 1 |
| 13 | 50-1061 | 1 |
| 14 | 50-1062 | 2 |
| 15 | 37-474 | 1 |
| 16 | 50-1034 | 1 |
| 17 | 50-1035 | 1 |
| 18 | 37-617 | 3 |
| 19 | 50-1057 | 1 |
| 20 | 50-312 | 1 |
| 21 | 50-336 | 2 |
| 22 | 50-750 | 1 |
| 23 | 50-753 | 1 |
| 24 | 35-262 | 2 |
| 25 | 50-750.1 | 1 |

| ITEM NO. | PART NUMBER | QTY. |
|----------|-------------|------|
| 26 | 35-245 | 3 |
| 27 | 35-243 | 1 |
| 28 | 35-253 | 5 |
| 29 | 37-108 | 7 |
| 30 | 35-258 | 6 |
| 31 | 35-257 | 2 |
| 32 | 35-425 | 2 |
| 33 | 37-015 | 1 |
| 34 | 36-021 | 4 |
| 35 | 37-003 | 3 |
| 36 | 35-252 | 2 |
| 37 | 36-002 | 6 |
| 38 | 36-003 | 1 |
| 39 | 35-248 | 4 |
| 40 | 35-249 | 1 |
| 41 | 35-251 | 1 |
| 42 | 35-250 | 1 |
| 43 | 37-004 | 2 |
| 44 | 50-1071 | 1 |
| 45 | 50-1038 | 1 |
| 46 | 37-475 | 1 |
| 47 | 37-454 | 4 |
| 48 | 36-020 | 2 |
| 49 | 50-1037.1 | 1 |
| 51 | 36-001B | 4 |
| 52 | 35-158 | 4 |

7/24/2008

50-380 Box Contents



| ITEM NO. | Hardware Card # | PART NO. |
|----------|-----------------|----------|
| 1 | | 50-339 |
| 2 | | 50-353 |
| 3 | | 50-329 |
| 4 | | 50-1057 |
| 5 | | 50-312 |
| 6 | | 50-336 |
| 7 | | 37-475 |
| 8 | 1 | 35-248 |
| 8 | 1 | 35-249 |
| 8 | 1 | 35-251 |
| 8 | 1 | 35-245 |
| 8 | 1 | 35-250 |
| 8 | 1 | 37-454 |
| 8 | 1 | 37-003 |
| 8 | 1 | 37-108 |
| 8 | 1 | 37-004 |
| 8 | 1 | 36-020 |
| 8 | 1 | 36-002 |
| 8 | 1 | 35-243 |
| 8 | 1 | 36-003 |
| 9 | | 50-1070 |
| 9.1 | | 50-1071 |
| 9.2 | | 50-1060 |
| 9.3 | | 50-1034 |
| 9.4 | | 50-1035 |
| 9.5 | | 50-1037 |
| 9.6 | 2 | 35-425 |
| 9.7 | 2 | 35-238 |
| 9.8 | 2 | 37-015 |
| 9.9 | 2 | 35-258 |
| 9.10 | 2 | 36-021 |
| 9.11 | 2 | 37-003 |
| 9.12 | | 50-1038 |
| 9.14 | | 35-252 |
| 9.15 | | 36-001B |
| 9.16 | | 35-158 |
| 9.17 | | 37-108 |
| 10 | | 50-702 |
| 10.1 | | 50-750 |
| 10.2 | 3 | 50-753 |
| 10.3 | 3 | 35-262 |
| 10.4 | 3 | 36-002 |

7/24/2008