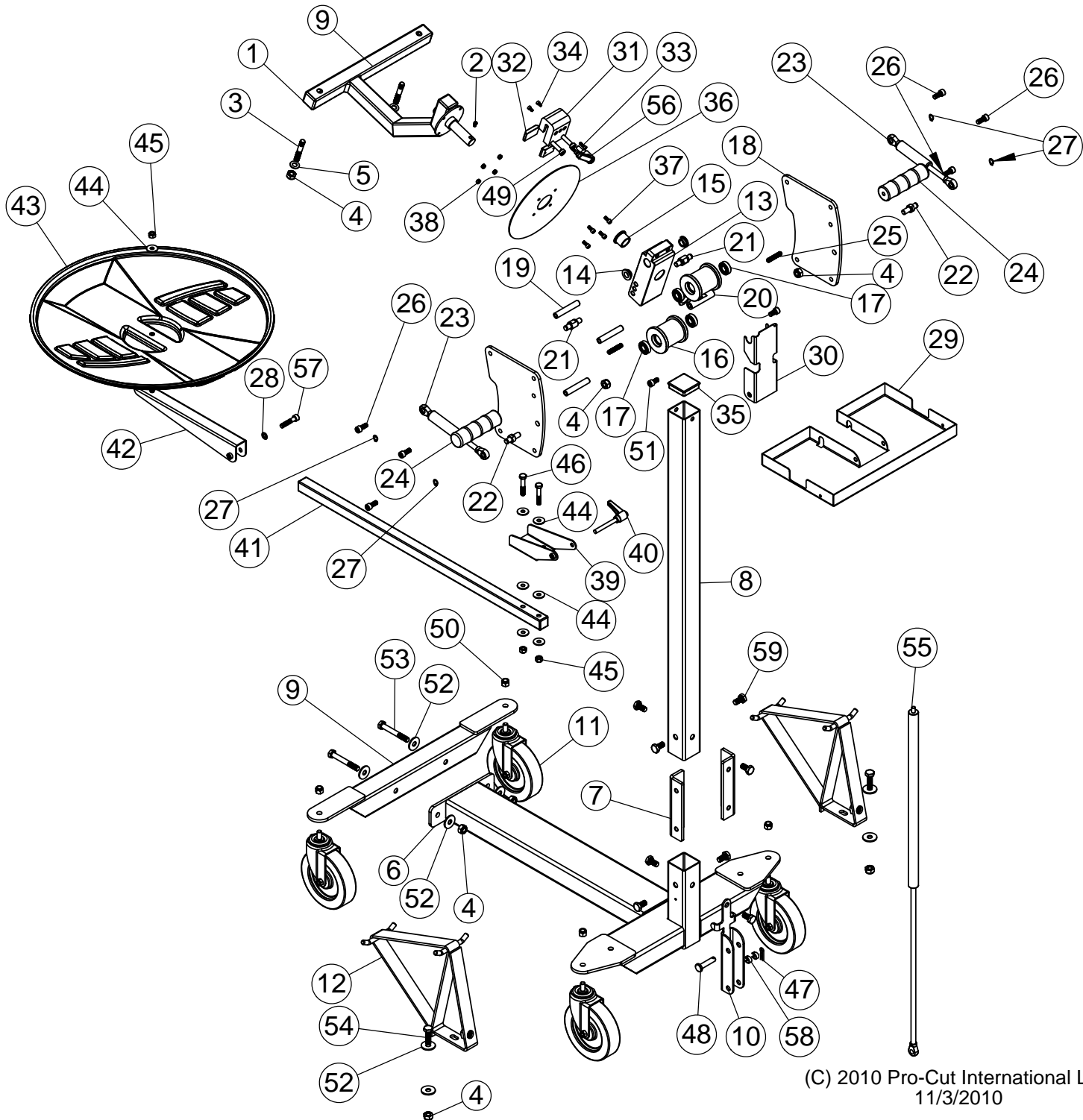
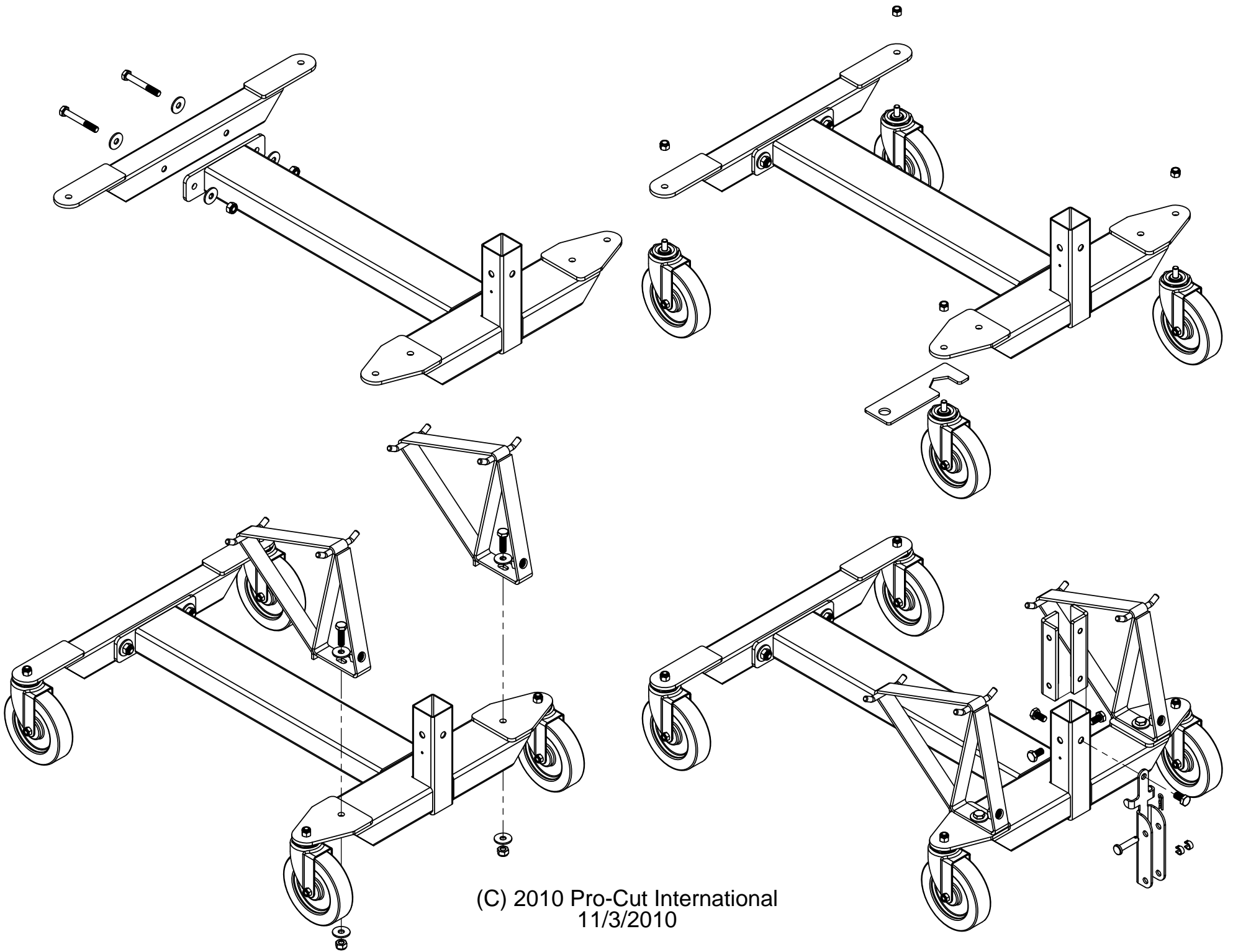


50-2192

| ITEM NO. | PART NUMBER | QTY. |
|----------|-------------|------|
| 1 | 50-2037 | 1 |
| 2 | 35-257 | 1 |
| 3 | 35-158 | 2 |
| 4 | 36-001B | 8 |
| 5 | 37-108 | 2 |
| 6 | 50-2023 | 1 |
| 7 | 50-2025 | 2 |
| 8 | 50-2028 | 1 |
| 9 | 50-2029 | 1 |
| 10 | 50-2026 | 1 |
| 11 | 37-032 | 4 |
| 12 | 50-2030 | 2 |
| 13 | 50-2073.1 | 1 |
| 14 | 37-304 | 2 |
| 15 | 37-305 | 2 |
| 16 | 50-2072.1 | 2 |
| 17 | 37-064 | 4 |
| 18 | 50-2071 | 2 |
| 19 | 50-2076 | 3 |
| 20 | 50-2016 | 1 |
| 21 | 50-2074 | 2 |
| 22 | 50-2075 | 2 |
| 23 | 37-485 | 2 |
| 24 | 50-1032 | 2 |
| 25 | 37-721 | 2 |
| 26 | 35-239 | 6 |
| 27 | 37-498 | 4 |
| 28 | 37-011 | 1 |
| 29 | 50-2077 | 1 |
| 30 | 50-2078 | 1 |
| 31 | 50-1061 | 1 |
| 32 | 50-1062 | 2 |
| 33 | 35-307 | 2 |
| 34 | 35-815 | 2 |
| 35 | 37-618 | 1 |
| 36 | 50-2034 | 1 |
| 37 | 35-292 | 4 |
| 38 | 36-172 | 4 |
| 39 | 50-2041 | 1 |
| 40 | 37-484 | 1 |
| 41 | 50-2042 | 1 |
| 42 | 50-2043 | 1 |
| 43 | 50-2044 | 1 |
| 44 | 37-111 | 7 |
| 45 | 36-002 | 3 |
| 46 | 35-252 | 2 |
| 47 | 37-496 | 1 |
| 48 | 37-048 | 1 |
| 49 | 35-425 | 2 |
| 50 | 36-001A | 4 |
| 51 | 35-414 | 2 |
| 52 | 37-993 | 8 |
| 53 | 35-998 | 2 |
| 54 | 35-304 | 2 |
| 55 | 37-486 | 1 |
| 56 | 37-1065 | 1 |
| 57 | 35-293 | 1 |
| 58 | 50-2014 | 2 |
| 59 | 35-275 | 8 |





(C) 2010 Pro-Cut International
11/3/2010

